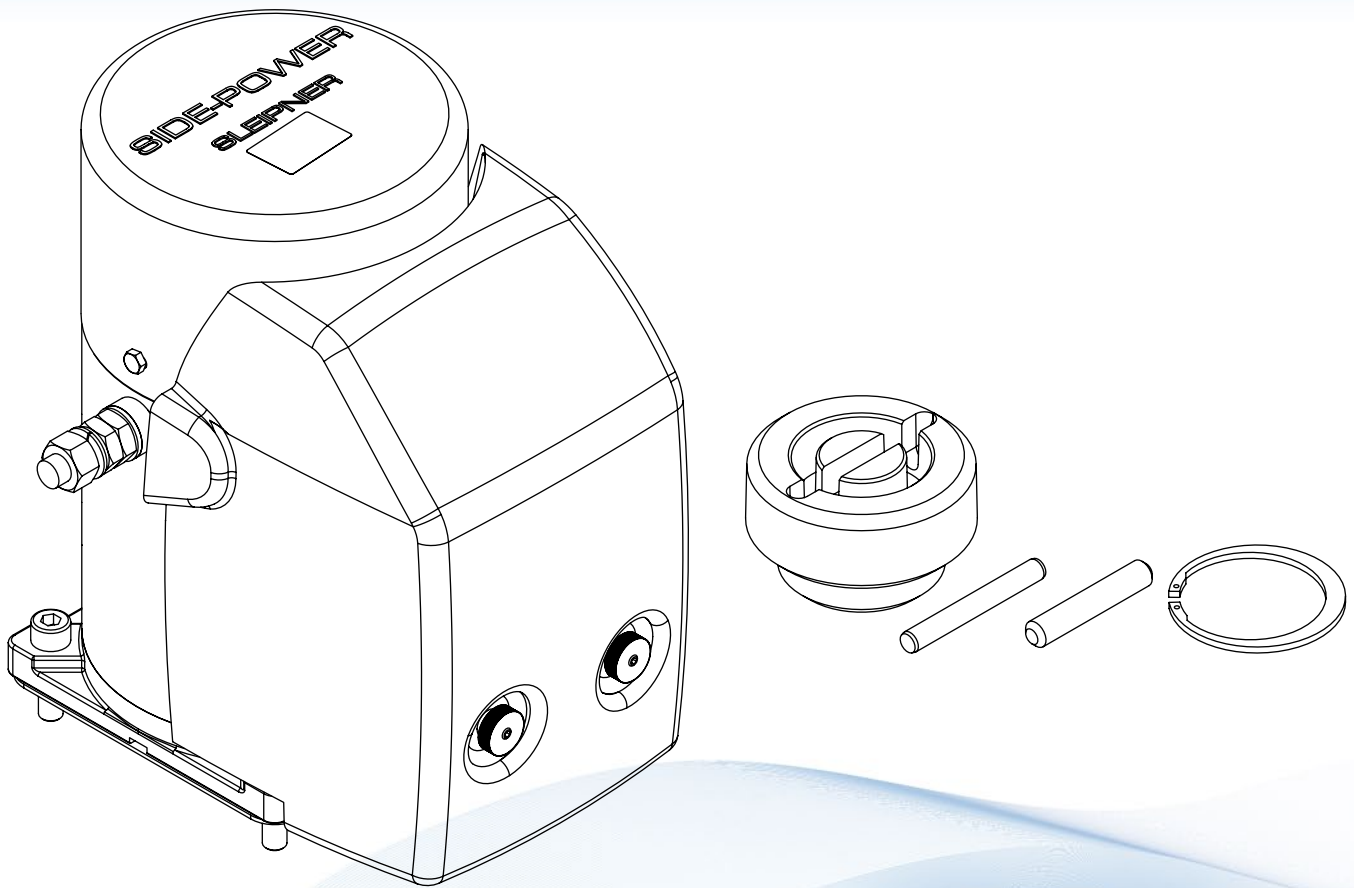




SIDE-POWER
Thruster Systems

MOTOR REPLACEMENT SE/SEP - 30 & 40 & 60



To download your language go to www.side-power.com



SLEIPNER MOTOR AS

P.O. Box 519

N-1612 Fredrikstad

Norway

www.side-power.com

Document id: 6021

Revision: 6

Date: 2019



Made in Norway

© Sleipner Motor AS 2019

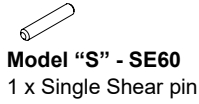
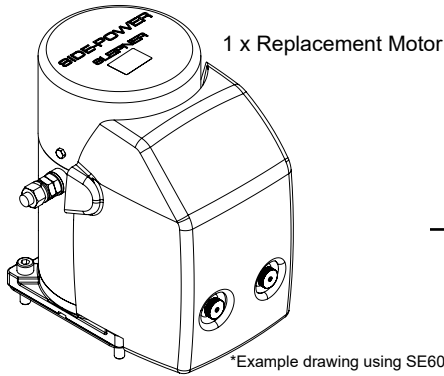
Motor Replacement Kit

Replacement motor contains components for both the S and S2 version.

Contact your distributor to upgrade older thrusters to use the new Flexible Coupler Drive connection.

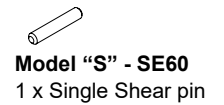
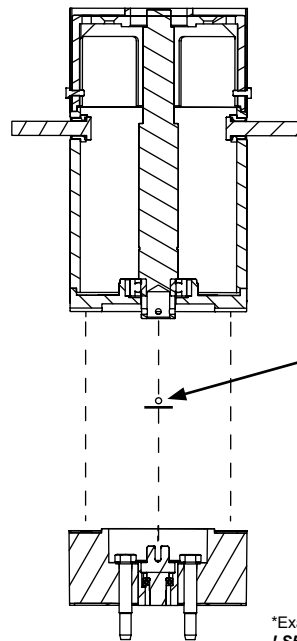
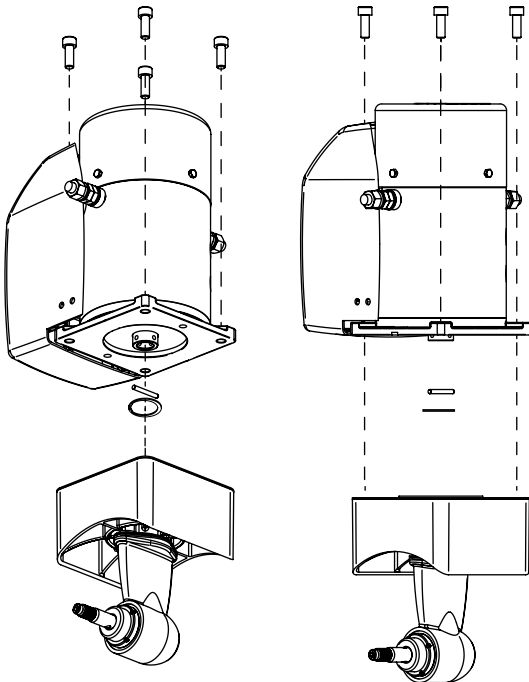


Kit contains:



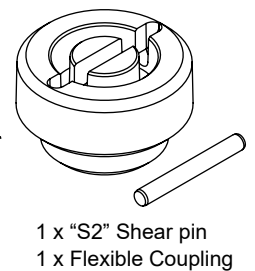
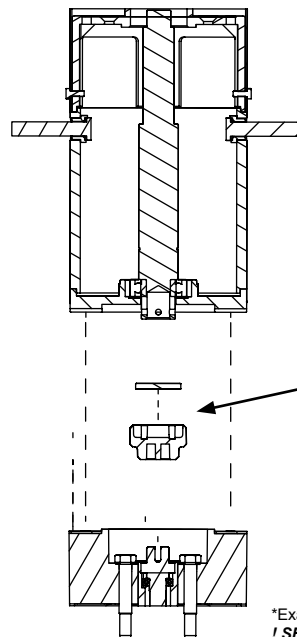
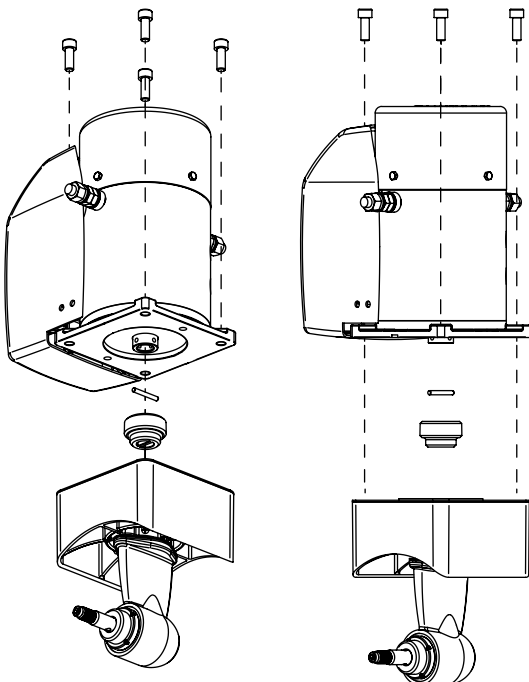
*Example drawing using SE60 motor

S VERSION



*Example drawing using SE60 motor
! SE60 Does not require a lock washer.

S2 VERSION

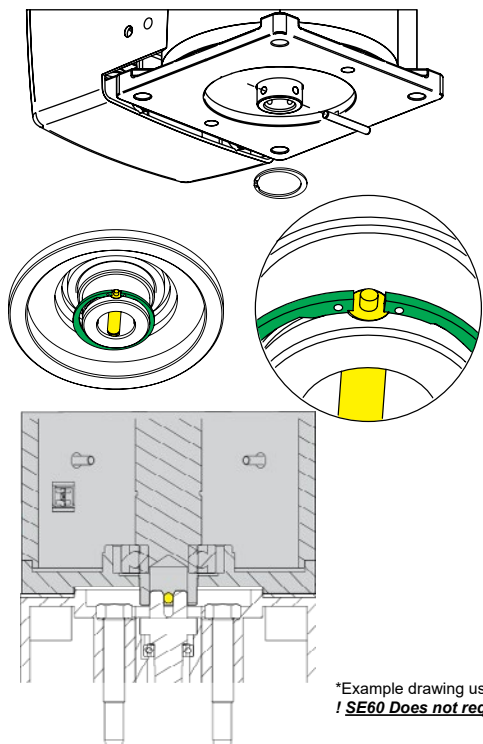


*Example drawing using SE60 motor
! SE60 Does not require a lock washer.

To prepare for motor replacement remove the current motor from the current gear leg bracket.

! Depending on your model follow the reinstallation steps for the replacement process.

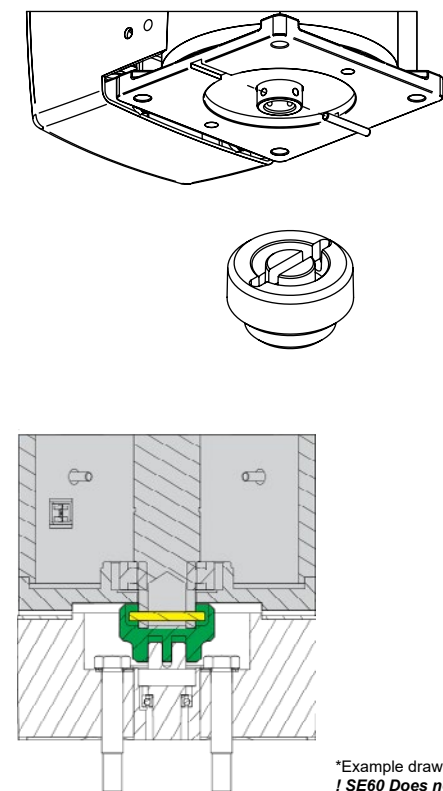
SE



1. Insert the shear pin into the motor and place the locking washer to secure the pin in place. **(NB: SE60 does not require a lock washer.)**
2. Install the motor onto the motor bracket ensuring both the couplings and the drive shafts have locked together. **(NB: depending on your coupling you may need to wiggle the motor into place. Ensure the connection couplings are engaging correctly. The motor can be placed in all directions on the motor bracket. However, ensure the cable terminals are accessible for electrical installation later.)**
3. Fasten the motor loosely to the motor bracket with the provided bolts. **(NB: If you are installing the motor at an angle of more than 30° off vertical, the motor will require separate/ additional support.)**
4. Fasten the bolts holding the motor to the motor bracket with the above torque.
5. Check the drive shafts engage by rotating the propeller. It is required the propeller can rotate via hand power. **(NB: Rotating the propellers can be hard because of the gear reduction and the motor.)**
6. Apply the gear leg and propeller with antifouling designed for propellers. Do not apply to the propeller drive shaft, the anodes or the end of the gear leg facing the propellers.

*Example drawing using SE60 motor
! SE60 Does not require a lock washer.

SE S2



1. Insert drive pin then the coupling to the motor shaft.
2. Install the motor onto the motor bracket ensuring both the couplings and the drive shafts have locked together. **(NB: Depending on your coupling you may need to wiggle the motor into place. Ensure the connection couplings are engaging correctly. The motor can be placed in all directions on the motor bracket. However, ensure the cable terminals are accessible for electrical installation later.)**
3. Fasten the motor loosely to the motor bracket with the provided bolts. **(NB: If you are installing the motor at an angle of more than 30° off vertical, the motor will require separate/ additional support.)**
4. Fasten the bolts holding the motor to the motor bracket with the above torque.
5. Check the drive shafts engage by rotating the propeller. It is required the propeller can rotate via hand power. **(NB: Rotating the propellers can be hard because of the gear reduction and the motor.)**
6. Apply the gear leg and propeller with antifouling designed for propellers. Do not apply to the propeller drive shaft, the anodes or the end of the gear leg facing the propellers.

*Example drawing using SE60 motor
! SE60 Does not require a lock washer.

Warranty statement

1. The equipment manufactured by Slepner Motor AS (The "Warrantor") is warranted to be free from defects in workmanship and materials under normal use and service.
2. This Warranty is in effect for two years (Leisure Use) or one year (Commercial use) from the date of purchase by the user. Proof of purchase must be included, to establish that it is inside the warranty period.
3. This Warranty is transferable and covers the product for the specified time period.
4. In case any part of the equipment proves to be defective, other than those parts excluded in paragraph 5 below, the owner should do the following:
 - (a) Prepare a detailed written statement of the nature and circumstances of the defect, to the best of the Owner's knowledge, including the date of purchase, the place of purchase, the name and address of the installer, and the Purchaser's name, address and telephone number;
 - (b) The Owner should return the defective part or unit along with the statement referenced in the preceding paragraph to the warrantor, Slepner Motor AS or an authorized Service Centre, postage/shipping prepaid and at the expense of the Purchaser;
 - (c) If upon the Warrantor's or Authorized Service Centre's examination, the defect is determined to result from defective material or workmanship, the equipment will be repaired or replaced at the Warrantor's option without charge, and returned to the Purchaser at the Warrantor's expense;
 - (d) no refund of the purchase price will be granted to the Purchaser, unless the Warrantor is unable to remedy the defect after having a reasonable number of opportunities to do so. Prior to refund of the purchase price, Purchaser must submit a statement in writing from a professional boating equipment supplier that the installation instructions of the Installation and Operation Manual have been complied with and that the defect remains;
 - (e) warranty service shall be performed only by the Warrantor, or an authorized Service Centre, and any attempt to remedy the defect by anyone else shall render this warranty void.
5. There shall be no warranty for defects or damages caused by faulty installation or hook-up, abuse or misuse of the equipment including exposure to excessive heat, salt or fresh water spray, or water immersion except for equipment specifically designed as waterproof.
6. No other express warranty is hereby given and there are no warranties which extend beyond those described in section 4 above. This Warranty is expressly in lieu of any other expressed or implied warranties, including any implied warranty of merchantability, fitness for the ordinary purposes for which such goods are used, or fitness for a particular purpose, and any other obligations on the part of the Warrantor or its employees and representatives.
7. There shall be no responsibility or liability whatsoever on the part of the Warrantor or its employees and representatives for injury to any person or persons, or damage to property, loss of income or profit, or any other consequential or resulting damage or cost which may be claimed to have been incurred through the use or sale of the equipment, including any possible failure or malfunction of the equipment, or part thereof.
8. The Warrantor assumes no liability for incidental or consequential damages of any kind including damages arising from collision with other vessels or objects.
9. This warranty gives you specific legal rights, and you may also have other rights which vary from country to country.

Worldwide sales and service



www.side-power.com



SLEIPNER MOTOR * AS P.O. Box 519 * N-1612 Fredrikstad * Norway

The information given in the document was correct at the time it was published. However, Sleipner Motor AS can not accept liability for any inaccuracies or omissions it may contain. Continuous product improvement may change the product specifications without notice. Therefore, Sleipner Motor AS can not accept liability for any possible differences between product and document.

MC_0030